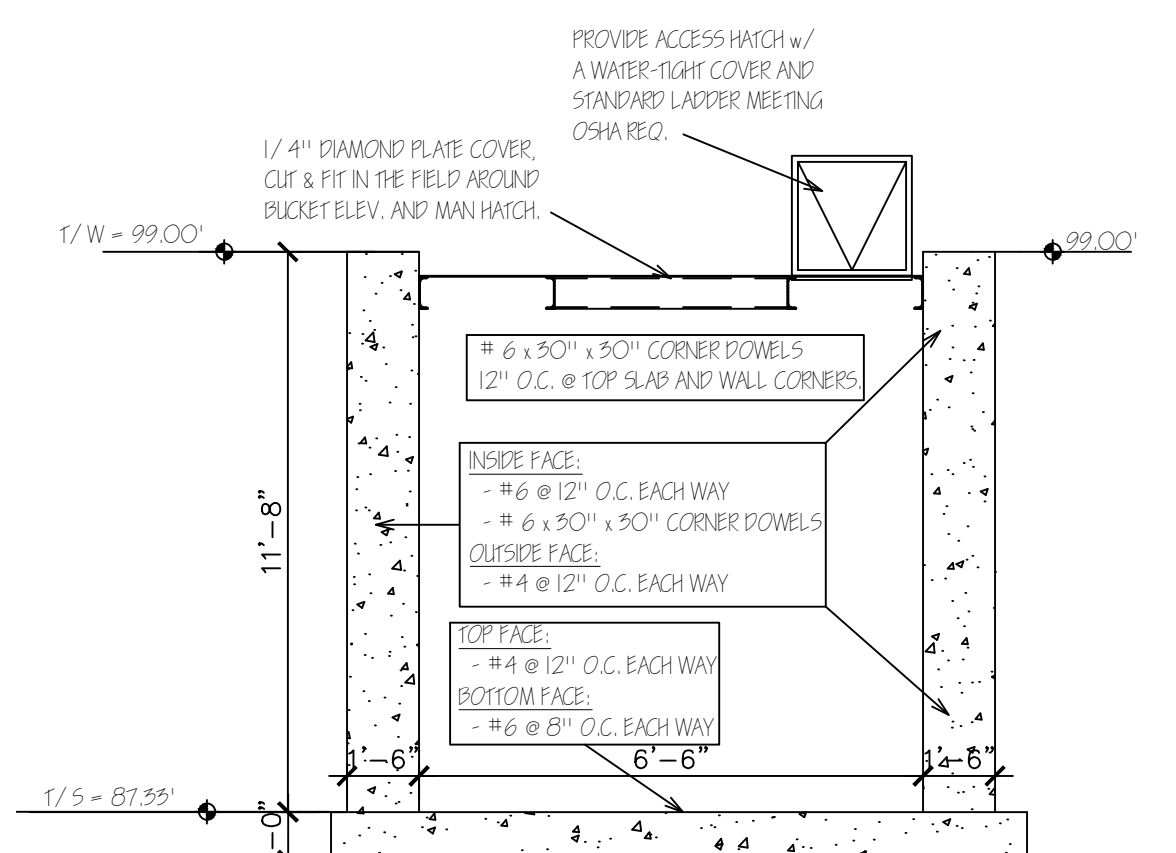
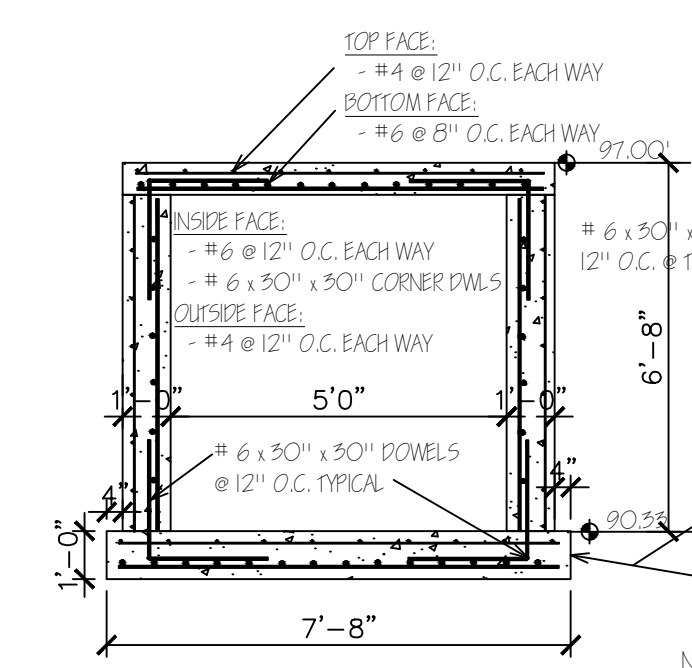


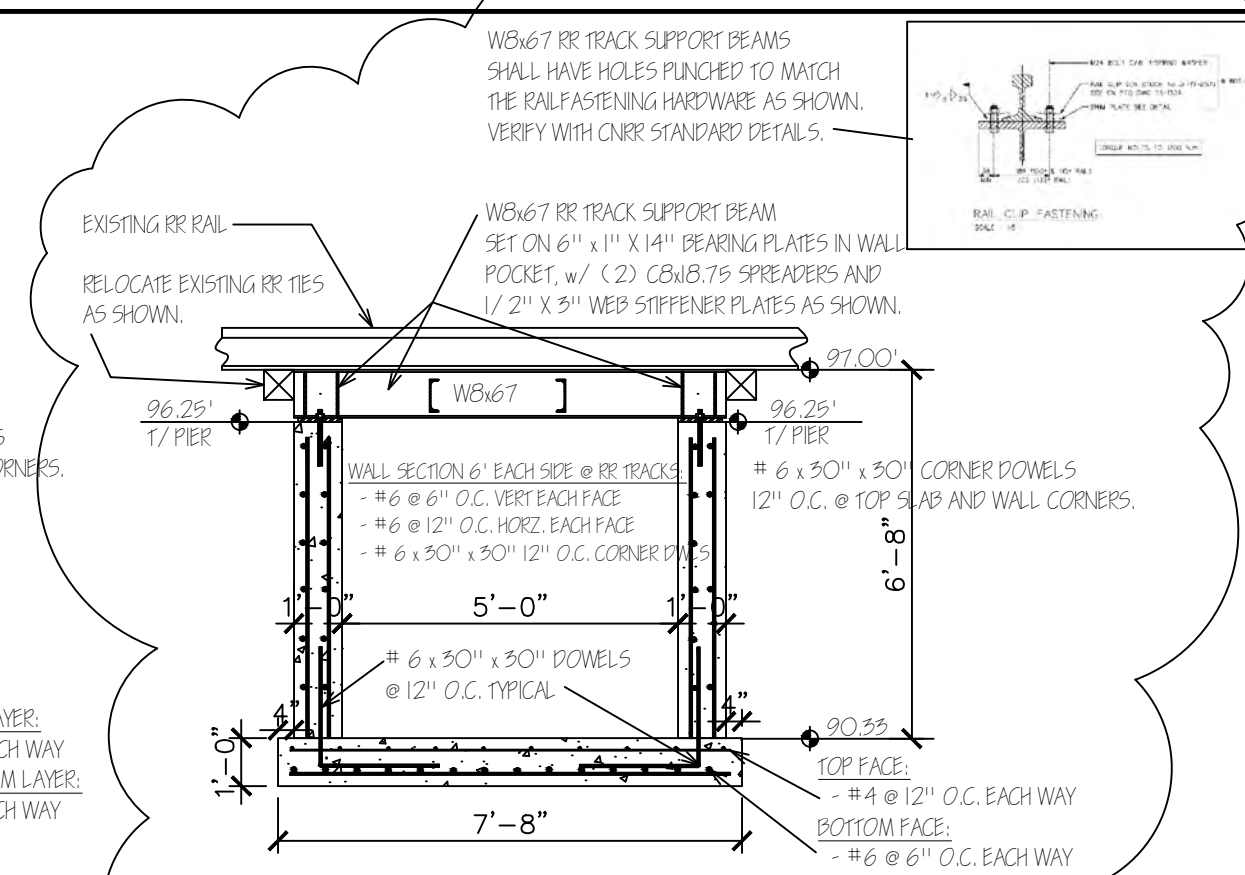
5 PIT DECK FRAMING PLAN
SCALE: 1/4" = 1'-0"



4 SECTION @ BUCKET ELEVATOR PIT
SCALE: 1/4" = 1'-0"



3 SECTION @ TYPICAL CONVEYOR TUNNEL
SCALE: 1/4" = 1'-0"



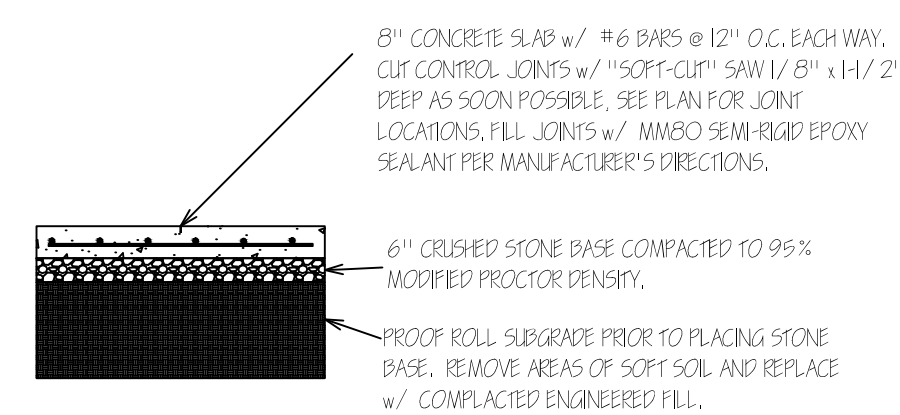
2 SECTION @ RR TRACK BEAMS
SCALE: 1/4" = 1'-0"

NO.	DESCRIPTION	DATE	BY
01	TO VITA BUILDERS FOR REVIEW & COMMENT	07/11/07	JFH
02	BUCKET ELEVATOR REVISIONS TO TUNNEL	08/01/07	JFH
03	REVISIONS PER VITA BUILDERS MEMO OF 08/03/07	08/05/07	JFH
04	REVISIONS PER VITA BUILDERS MEMO OF 08/07/07	08/08/07	JFH
05	REVISIONS PER REQ. OF CANADIAN NATIONAL RR	08/15/07	JFH
06	SUBMITTED FOR CANADIAN NATIONAL RR REVIEW	08/21/07	JFH
07	FOR CONSTRUCTION - EXCEPT @ RR CROSSING	09/06/07	JFH
08	REVISIONS REQUESTED BY CANADIAN NATIONAL RR	10/06/07	JFH

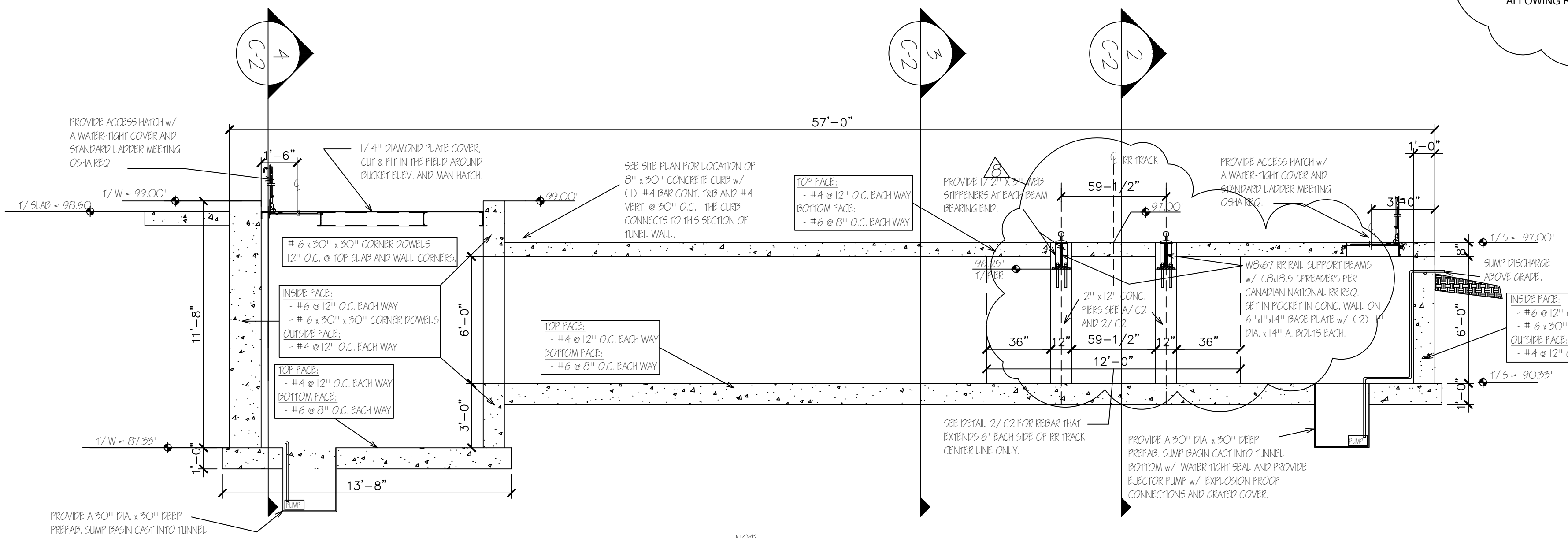
CANADIAN NATIONAL RAILROAD TRACK WORK REQUIREMENTS

GENERAL NOTES:

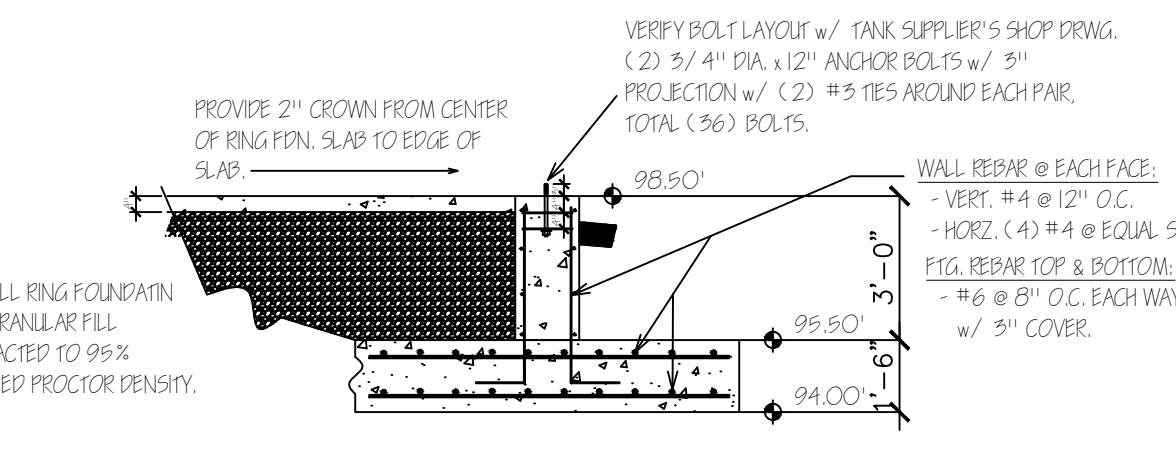
1. THE BASIS OF THE DESIGN OF THE UNLOADING PIT IS TO BE IN ACCORDANCE WITH AREMA 2006, CHAPTER 6, SECTION 8 AND THE CANADIAN NATIONAL RAILROAD REQUIREMENTS.
2. THE DESIGN LIVE LOAD IS E80 WITH 28% IMPACT AT A MAXIMUM RAIL CAR SPEED OF 10 MPH.
3. ALL CONSTRUCTION WORK IN AND AROUND THE RAILROAD SPUR LINE SHALL BE PERFORMED IN ACCORDANCE WITH AREMA AND THE CANADIAN NATIONAL RAILROAD REQUIREMENTS.
4. THE CONTRACTOR SHALL NOTIFY THE CONSTRUCTION DIVISION OF THE CANADIAN NATIONAL RAILROAD TO ALLOW THEM AN OPPORTUNITY TO INSPECT THE WORK PRIOR TO ALLOWING RAIL TRAFFIC OVER THE UNLOADING PIT.



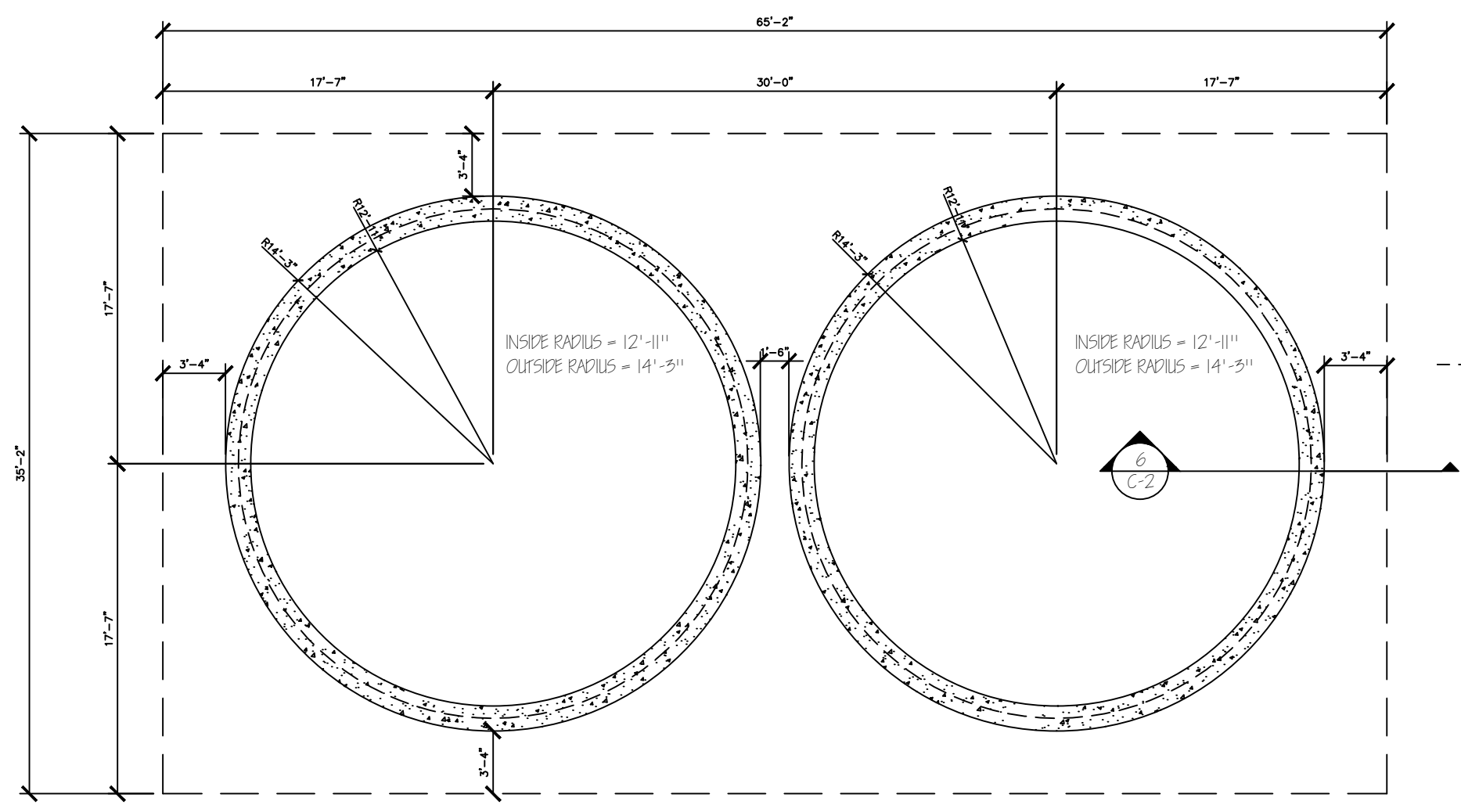
7 TANK SLAB-ON-GRADE DETAILS
SCALE: 1/4" = 1'-0"



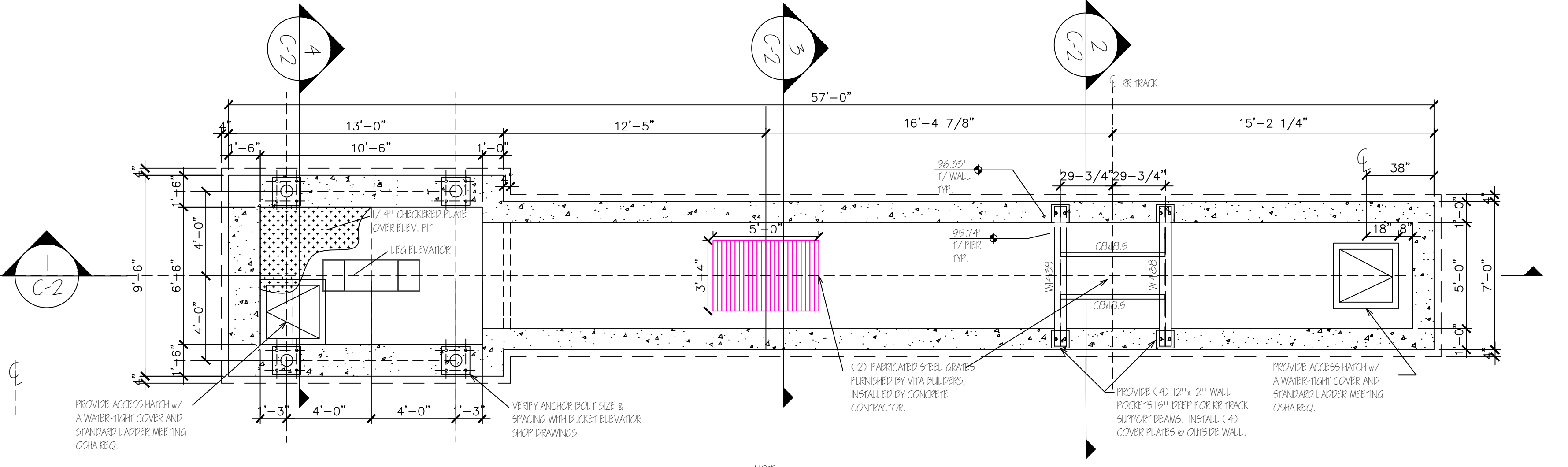
1 CONVEYOR TUNNEL N-S SECTION
SCALE: 1/4" = 1'-0"



6 SECTION - HOPPER TANK FDN. RING
SCALE: 1/4" = 1'-0"



B HOPPER TANK RING FDN. PLAN
SCALE: 1/8" = 1'-0"



A CONVEYOR TUNNEL PLAN
SCALE: 1/4" = 1'-0"

SEAL: JAMES F. HEIDT, PE
WI. REG.: 15489
EXP. DATE: 07/32/08

Small text at the bottom right corner: All documents prepared or furnished by the Engineer are instruments of the Engineer's professional service prepared specifically for this project. Any reuse or modification of any such documents without the Engineer's written permission is prohibited. © 2005 James F. Heidt, PE, LLC

PROJECT: CP FEEDS TANK FARM, VALDERS, WI FOR VITA BUILDERS, FALL RIVER, WI

JAMES F. HEIDT, PE, LLC
CIVIL & STRUCTURAL ENGINEERING
2543 LAUNDLE DR. BEL OTE, WISCONSIN 53511
PHONE: 608.368.9700 CELL: 608.617.7198 FAX: 608.368.9703 E-MAIL: JHEIDT@JHEIDT.COM

DRAWN: JFH
DATE: 07/09/07
APPROVED: _____
RELEASED: _____
SHEET NO.

C-2